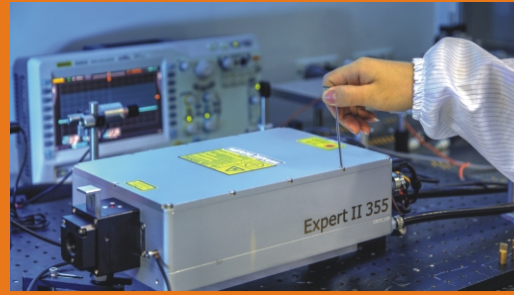


NANO UV LASER

Expert II 355 series 3W-10W UV Laser



Expert II 355 series UV DPSS laser, developed and produced by RFH, covers 3.0w-10.0w power range with short pulse width ($<14\text{ns}@30\text{K}$), superior beam quality ($M^2 < 1.2$) and perfect laser spot quality (beam circularity $> 90\%$).



FEATURES

- Laser wavelength at 354.7nm, repetition rates cover a wide range(single pulse to 200kHz) ;
- Exceptional beam quality ($M^2 < 1.2$), absolutely assured in all repetition rates; relatively short pulse width $< 14\text{ns}@30\text{k}$ with little heat zone when processing materials;
- Unique Q-switching technology, adapts a variety of control requirements of laser applications;
- Online refreshment for harmonic coupling technology; Excellent long term power stability;
- Digital control technology for the driver, enables user to command through RS232;
- This laser adopts one - style design with compact and reasonable structure, easy installation.

PARAMETER

PARAMETER	INDEX	DESCRIPTION
Laser wavelength	354.7nm	
Average Output Power	3.0-10.0W	@30kHz
Pulse Width	<14ns	@30kHz
Pulse Repetition Rate	10-200kHz	
Spatial Mode	TEM00	
M^2	<1.2	
Beam Diameter	0.8±0.2mm	Measured at window
Beam Full Divergence Angle	<1.2mrad	
Beam Circularity	>90%	
Pulse-to-Pulse Stability	<2%	RMS/@30kHz
Average Power Stability	<5%	RMS/8hr
Beam-Pointing Drift	<30μrad/°C	
Polarization Ratio	>100:1	
Polarization Orientation	Horizontal	
Operating Temp. & RH	10°C to 30°C	
	<80%	
Storage Temp. & RH	-20°C to 65°C	
	<90%	
Electricity Requirement	100-240VAC	单相Single phase
	50/60Hz	
Power Consumption	<500W	
Warranty	18 months	

Laser power and other characteristics can be optimized in different repetition frequency ranges ;
The temperature referred to is the ambient temperature.

Application

It is specifically designed for SLA 3D printer, laser marking machine, high precision cutting machine, high precision drilling machine, laser wire stripping machine, glass inner engraving machine and so on.



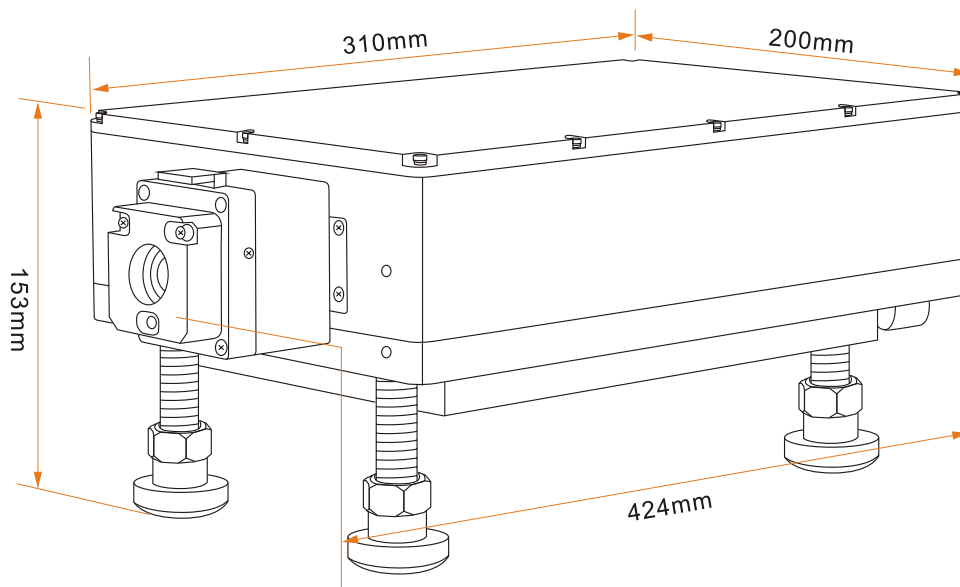
Phone accessories



Electronic products



Jewelry



SHENZHEN RFH LASER TECHNOLOGY CO., LTD.

Add: 2nd Floor, Building M10, Central District, High-tech Industrial Park, Nanshan District, Shenzhen

Tel: +86-755-86375012 Fax: +86-755-86028961

Email: sales@rfhlasertech.com [Http://www.rfhlasertech.com](http://www.rfhlasertech.com)

Service Hotline: +86-755-86375012